

Cat5 Presentation Switchers

AVX-400

Cat5

Presentation

Switcher



The AVX-400 Enova Cat5 Presentation Switcher combines all of the components you need to control/automate any environment into a simple, flexible, comprehensive solution including control, multi-format Cat5 inputs, switching, local and remote distribution, plus audio mixing, and amplification - all in a single box.

COMMON APPLICATION

AVX-400 is designed for classrooms, simple conference rooms and auditoriums with moderate A/V requirements and a single projector or display. Mount the AVX-400 from the ceiling, above the projector, or near the display and connect up to 4 remote A/V sources using Cat5 cable from Enova wall plates or connectors in a HydraPort installed in a conference table up to 50 meters away.

FEATURES

- Offers Presentation Essentials – Including control, multi-format inputs, audio/video switching, audio mixing and amplification – all over Cat5.
- Pre-Packaged to Vault You into Success – Choose from two total environment solutions perfect for small to medium classrooms or meeting room environments.
- Delivers 3 Levels of Control – Use a simple software configuration tool for simple, intuitive device selection, add a Novara 8-button keypad for pre-programmed device control, or go all out by adding a NetLinX controller, user interface and code for full custom control.
- Increases Productivity over Cat5 – Use cost-effective twisted pair cable to transport audio, video, control and power – all over a single Cat5.
- Commands Signal Management Flexibility – Design any combination of RGB, Component, and/or Composite, and walk away from worries about too many of one signal style or not enough of another – just use any UPX universal transmitter wallplate and go.
- Multiplies Connection Options – Put the finishing touch on the installation with two new convenient connection systems, UPX wallplates and HydraPort Cat5 modules.
- Simplifies Switching – Automatically displays the newly connected source or returns to a pre-set source when a source is disconnected. And comes standard with a source cycle button on every wallplate to toggle between sources.



AVX-400 (FG1350-01)

DIMENSIONS (HWD)

1 3/4" x 9" x 6" (4.45 cm x 22.86 cm x 15.24 cm)

WEIGHT

2.57 lbs (1.17 kg)

POWER

12VDC, 4.4A supply

AUDIO AMPLIFIER

Stereo 10W per channel with 7-band graphic equalization

ENCLOSURE

Metal with black matte finish

FRONT PANEL COMPONENTS

- Source Select Button: 1 button for toggling through the 4 inputs with each press
- Source Select LED Indicators: 4 LED indicators which show which source has been selected
- Source Inputs (INPUTS 1-4): 4 RJ-45 connectors for source audio and video
- LINE IN Auxiliary Audio Output: 1 3.5mm Phoenix (5-pin) connector for use with external audio equipment such as radio microphones and mixers.
- AxLink Device DIP Switches: 1 set of 8 DIP switches for setting the address of an AxLink device
- AxLink Port: 1 3.5mm Phoenix (4-pin) connector that provides data to external control devices and allows the AVX-400-SP to be controlled from a Master. A green AxLink LED indicates the state of the AxLink port. Note: The AVX-400-SP cannot be powered by this port or use the port to power other devices.
- RS-232 Control Port: 1 3.5mm Phoenix (3-pin) connector that provides data to external control devices and allows the AVX-400-SP to be controlled from RS232 controller.
- Configuration Port (PROG): 1 Type-B USB connector for programming the switcher via AMX DCS software
- Power Connector: 1 3.5mm Phoenix (2-pin) connector

REAR PANEL COMPONENTS

- RS-232 Display Control: 1 male DB9 connector used to control a projector or display from the AVX-400-SP
- Audio Amplifier Output: 1 5.0mm Phoenix (4-pin) connector capable of delivering 2x10W into 8 ohm amplified variable stereo audio amplifier.
- Line Level Audio Output: 1 3.5mm Phoenix (5-pin) connector provides the mixed audio at Line Level
- Composite Output: 1 RCA (Y) connector for connecting to a display device
- VGA/RGB Output: 1 HD-15 connector for connecting to a display device
- Component Output: 1 HD-15 connector for connecting to a display device. You can use breakout cable CC-HD15M-RCA3M (FG10-2170-03) to connect to 3 x RCA Phono Sockets.

CERTIFICATIONS

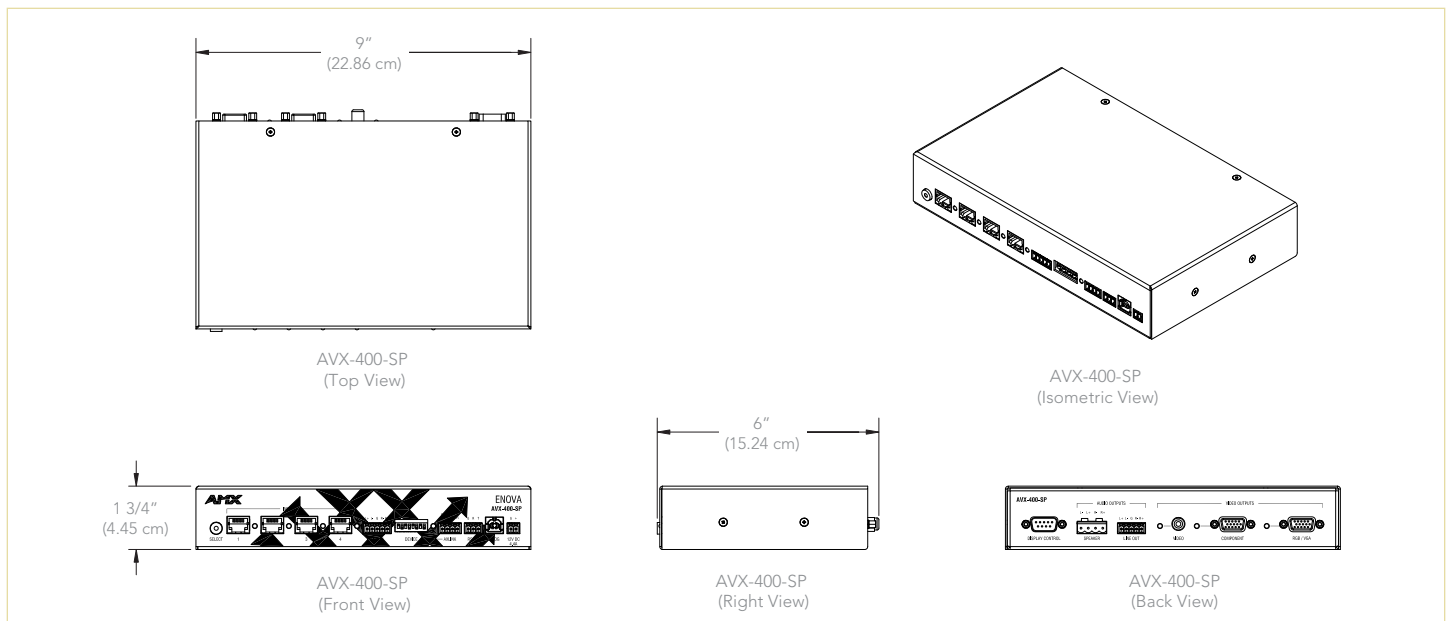
- FCC Class B
- CE
- IEC-60950

ENVIRONMENTAL

- Storage Temperature: -10° C to 70° C (14° F to 158° F)
- Operating Temperature: 0° C to 40° C (32° F to 104° F)
- Operating Relative Humidity: 5% - 85% non-condensing

INCLUDED ACCESSORIES

- 2 5-pin 3.5mm Phoenix connectors, for line-in/out (41-0336)
- 1 4-pin 3.5mm Phoenix connector, for AxLink (41-5047)
- 2 2-pin 5 mm Phoenix connectors, for speakers (41-0158-SA)
- 1 RS-232 3-pin 3.5mm Phoenix connector (41-0338)
- 1 PSN4.4, Power Supply, 4.4A, 3.5mm Phoenix, 13.5VDCA5 (FG423-45)
- Enova AVX-400-SP Presentation Switcher Installation Guide (93-1350-01)
- 1 Suppression Ferrite (04-0018-SA)



IT'S YOUR WORLD. TAKE CONTROL.